

CONDUCTIVE ELASTOMER WAVEGUIDE GASKETS

Waveguide Gaskets

For effective EMI shielding and pressure sealing for choke, cover and contact flanges, Chomerics' waveguide gaskets ensure low insertion, low flange leakage, maximum heat transfer and minimum outgassing. Made from CHO-SEAL 1239 and 1212 conductive elastomers, the gaskets are reusable and will not scar flanges.

Cover flange and flat contact flange gaskets are die-cut from CHO-SEAL 1239 sheet stock 0.027 in. (0.69 mm) thick, ± 0.003 in. (0.08 mm). Containing an expanded metal reinforcement to eliminate cold flow, these gaskets can be supplied with a slightly raised lip around the iris opening for high-pressure, high-power applications.

RF/pressure seals for waveguide cover flanges are also available in Gask-O-Seal™ form. Gask-O-Seal waveguide gaskets consist of thin metal retainers which incorporate elastomer seals on each side, and raised knurls which bite into flange surfaces to provide good electrical contact. *For more information on Gask-O-Seal products, contact Parker Hannifin, Cleveland, OH, 1-800-272-7537 and ask for Gask-O-Seal catalog #OSD-6411.*

Choke flange and grooved contact flange gaskets are molded from CHO-SEAL 1212 material, and are available with O- or D-cross sections.

Properties of CHO-SEAL 1212 and 1239 materials are shown in the table below.

Standard Waveguide Gaskets

The gaskets listed in the following tables will fit the standard UG, CPR, and CMR flanges shown. The numbers 1 through 6 listed in the "gasket configuration" column of the tables indicate the style of gasket, as follows:

- 1 – Die-cut rectangular
- 2 – Die-cut circular
- 3 – Molded rectangular, with "O" cross section
- 4 – Molded circular, with "O" cross section (O-rings)
- 5 – Molded circular, with "D" cross section (D-rings)
- 6 – Molded rectangular, with "D" cross section

Gaskets can also be custom designed to meet special requirements or less frequently used waveguide sizes (from WR 10 to WR 2300). CHO-SEAL 1239 material is not available in sheet form.

SPECIFICATIONS		CHO-SEAL 1212	CHO-SEAL 1239
Type (Ref: MIL-G-83528)		K	G
Volume Resistivity (ohm-cm, max) as supplied (w/o PSA)		0.005	0.007
Hardness (Shore A ± 5)		80	80 ± 7
Specific Gravity (± 0.25)		3.5	4.75 ± 0.75
Tensile Strength psi (MPa), min.		400 (2.76)	600 (4.14)
Elongation (percent, min/max)		100 / 300	20 / NA
Tear Strength (lb/in, min)		40	70
Compression Set, 70 hrs. @ 100°C (percent, max)		35	Not Applicable
Low Temperature Flex, TR10 (°C, minimum)		-45	Not Applicable
Continuous Use Temperature Range (°C)		-55 to 125	-55 to 125
<i>Shielding Effectiveness (dB, min.)</i>			
200 kHz (H Field)		70	70
100 MHz (E Field)		120	110
500MHz (E Field)		120	110
2 GHz (Plane Wave)		120	110
10 GHz (Plane Wave)		120	110
<i>Electrical Stability (ohm-cm, max.) Heat Aging</i>		0.010	0.010
Vibration Resistance	During	0.010	0.010
	After	0.005	0.007
Post Tensile Set Volume Resistivity		0.010	NA
EMP Survivability (kA per in. perimeter)		>0.9	>0.9

NA = Not Applicable

Ordering Procedure

For standard gaskets, select the part number from Tables 14-20. For custom configurations, gasket and waveguide flange drawings must be provided, and part numbers will be assigned by Chomerics.

Table 14 Use Table 14 to select part numbers. Refer to Tables 15-20 on following pages for Waveguide Gasket dimensions.

WAVEGUIDE GASKETS											
Frequency Range (GHz)	Band	EIA Waveguide Size	JAN Designation	Gasket Type			Flange Type	Gasket Configuration*	Chomerics Part Number	MIL P/N: † M83528/013 [] ()	
				UG	CPR	CMR					
26.5→40.0	Ka	WR28	RG-96/U (Silver)	UG-599/U			Cover	1	20-10-5000-1239**	[G]-(001)	
				UG-600A/U			Choke	5	20-02-6510-1212	[K]-(002)	
18.0→26.5	K	WR42	RG-53/U (Brass) RG-121/U (Aluminum)	UG-595/U			Cover	1	20-01-5005-1239**	[G]-(003)	
				UG-597/U			Choke	5	20-02-6515-1212	[K]-(004)	
12.4→18.0	Ku	WR62	RG-91/U (Brass) RG-107/U (Silver)	UG-419/U			Cover	1	20-01-5010-1239**	[G]-(005)	
				UG-541A/U			Choke	5	20-02-6520-1212	[K]-(006)	
10.0→15.0		WR75					Cover	1	20-11-1683-1239	[G]-(007)	
							Choke	5	20-02-6525-1212	[K]-(008)	
8.2→12.4	X	WR90	RG-52/U (Brass) RG-67/U (Aluminum)	UG-39/U			Cover	1	20-11-5015-1239	[G]-(009)	
				UG-135/U							
				UG-1736/U	CPR-90F		Flat Contact	1	20-01-5115-1239**	[G]-(010)	
				UG-1737/U			Choke	5	20-02-6531-1212	[K]-(011)	
				UG-136A/U			Choke	5	20-02-6530-1212	[K]-(012)	
7.0→11.0		WR102		UG-136B/U			Choke	5	20-02-6530-1212	[K]-(012)	
				UG-40A/U			Contact	3	20-03-6630-1212	[K]-(013)	
7.05→10.0	X1	WR112	RG-51/U (Brass) RG-68/U (Aluminum)	UG-1360/U	CPR-90G		Contact	3	20-03-6630-1212	[K]-(013)	
				UG-1361/U							
				UG-51/U			Cover	1	20-11-5020-1239	[G]-(015)	
				UG-138/U			Flat Contact	1	20-11-5120-1239**	[G]-(016)	
5.85→8.2	Xb	WR137	RG-50/U (Brass) RG-106/U (Aluminum)	UG-1734/U	CPR-112F		Choke/Flat	5	20-02-6540-1212	[K]-(017)	
				UG-1735/U			Choke/Flat	3	20-03-6635-1212	[K]-(018)	
				UG-52B/U							
5.85→8.2	Xb	WR137	RG-50/U (Brass) RG-106/U (Aluminum)	UG-137B/U			Choke/Flat	6	20-03-3686-1212	—	
				UG-1358/U	CPR-112G						
				UG-1359/U	CPR112G/F						
				UG-344/U			Cover	2	20-11-5025-1239	[G]-(0159)	
5.85→8.2	Xb	WR137	RG-50/U (Brass) RG-106/U (Aluminum)	UG-441/U			Cover	2	20-11-5025-1239	[G]-(0159)	
				UG-1732/U	CPR-137F		Flat Contact	1	20-01-5125-1239**	[G]-(020)	
				UG-1733/U		CMR-137	Flat Contact	1	20-01-5225-1239**	[G]-(021)	
5.85→8.2	Xb	WR137	RG-50/U (Brass) RG-106/U (Aluminum)	UG-343B/U			Choke	4	20-02-6545-1212	[K]-(022)	

CHOMERICS TECHNICAL INFORMATION

				UG-440B/U UG-1356/U UG-1357/U	CPR-137G CPR-137G/F		Contact Choke/Flat	3 6	20-03-6645-1212 20-03-3731-1212	[K]-(023) —
4.9→7.05		WR159		UG-1730/U UG-1731/U	CPR-159F		Flat Contact	1	20-01-5130-1239**	[G]-(024)
						CMR-159	Flat Contact	1	20-01-5230-1239**	[G]-(025)
					CPR-159G		Choke	3	20-03-L767-1212	—
					CPR-159G/F		Choke/Flat	6	20-03-3980-1212	—
3.95→5.85	C	WR187	RG-49/U (Brass)	UG-149A/U UG-407/U			Cover	2	20-11-5035-1239	[G]-(026)
				UG-1728/U UG-1729/U	CPR-187F		Flat Contact	1	20-01-5135-1239**	[G]-(027)
			RG-95/U (Aluminum)			CMR-187	Flat Contact	1	20-01-5235-1239**	[G]-(028)
				UG-148C/U UG-406B/U			Choke	4	20-02-6555-1212	[G]-(029)
				UG-1352/U UG-1353/U	CPR-187G		Contact	3	20-03-6655-1212	[G]-(030)
3.30→4.90		WR229		UG-1726/U UG-1727/U	CPR-229F		Flat Contact	1	20-01-5140-1239**	[G]-(031)
						CMR-229	Flat Contact	1	20-01-5240-1239**	[G]-(032)
					CPR-229G		Choke	3	20-03-L768-1212	—
.6→3.95	S	WR284	RG-48/U (Brass)	UG-53/U UG-584/U			Cover	2	20-01-5045-1239**	[G]-(033)
				UG-1724/U UG-1725/U	CPR-284F		Flat Contact	1	20-01-5145-1239**	[G]-(034)
			RG-75/U (Aluminum)			CMR-284	Flat Contact	1	20-01-5245-1239**	[G]-(035)
				UG-54B/U UG-585A/U			Choke	5	20-02-6565-1212	[K]-(036)
				UG-1348/U UG-1349/U	CPR-284G		Contact	3	20-03-6665-1212	[K]-(037)
2.2→3.3		WR340	RG-112/U (Brass)	UG-533/U UG-554/U			Flat Contact	1	20-01-5050-1239**	[G]-(038)
						CPR-340F	Flat Contact	1	20-01-5150-1239**	[G]-(039)
1.7→2.6	W	WR430	RG-104/U (Brass) RG-105/U (Aluminum)	UG-435A/U UG-437A/U			Flat Contact	1	20-01-5055-1239**	[G]-(040)
					CPR-430F		Flat Contact	1	20-01-5155-XXXX**	[G]-(041)
					CRP-40G		Choke	3§	20-03-1560-1212	—
					CPR-430G/F		Choke/Flat	6§§	20-03-6685-1212	—
1.12→1.7	L	WR650	RG-69/U (Brass)	UG-417A/U			Flat Contact	1	20-01-5060-1239**	[G]-(042)
			RG-103/U (Aluminum)	UG-418A/U						

* Number corresponds to configuration type, Tables 15-20.

** This gasket will seal a maximum pressure of 20 psig. For systems pressurized above this limit, a high-pressure (raised-lip) version is available. To specify, change 3rd digit in Part Number to 1.
 † Letter in bracket is MIL-G-83528B material type (G or K). Number in parentheses is MIL-G 83528B dash number. Insert them (without brackets or parentheses) to complete MIL P/N. § Modified "O" cross section. §§ Modified "D" cross section

Note: Raised portion will be a nominal of 0.187 in. (4.75 mm). Thickness (T1) is 0.004 in. (0.10 mm) ±0.002 in. (0.05 mm). This raised area applies only to part numbers with a third digit of "1".

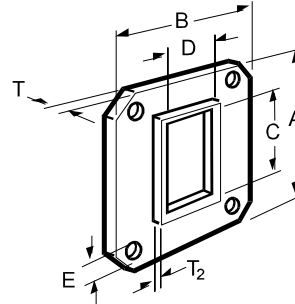


Table 15

1. Die-Cut Rectangular Configurations						
Dimensions						Chomerics P/N** MIL P/N: M83528/ 013G-()
A	B	C	D	E*	T	
±0.015 (0.38)	±0.015 (0.38)	+0.015 (0.38) -0.000		±0.010 (0.25)	±.003 (0.08)	
1.496 (38.00)	1.496 (38.00)	0.760 (19.30)	0.385 (9.78)	0.155 (3.94)	0.027 (0.69)	20-11-1683-1239 (007)
0.750 (19.05)	0.750 (19.05)	0.145 (3.68)	0.285 (7.24)	0.116 (2.95)	0.027 (0.69)	20-01-5000-1239 (001)
0.875 (22.23)	0.875 (22.23)	0.175 (4.45)	0.425 (10.80)	0.116 (2.95)	0.027 (0.69)	20-01-5005-1239 (003)
1.313 (33.35)	1.313 (33.35)	0.630 (16.00)	0.320 (8.13)	0.140 (3.56)	0.027 (0.69)	20-01-5010-1239 (005)
1.625 (41.28)	1.625 (41.28)	0.950 (22.99)	0.405 (10.29)	0.169 (4.29)	0.027 (0.69)	20-01-5015-1239 (009)
1.875 (47.63)	1.875 (47.63)	1.130 (28.70)	0.505 (12.83)	0.180 (4.57)	0.027 (0.69)	20-11-5020-1239 (015)
3.750 (95.25)	5.440 (138.18)	1.710 (43.43)	3.410 (86.61)	0.264 (6.71) 0.250 (6.35)	0.027 (0.69)	20-01-5050-1239 (038)
4.188 (106.38)	6.344 (161.14)	2.160 (54.86)	4.310 (109.47)	0.266 (6.76) 0.281 (7.14)	0.027 (0.69)	20-01-5055-1239 (040)
5.438 (138.13)	8.688 (220.68)	3.260 (82.80)	6.510 (165.35)	0.250 (6.35) 0.328 (8.33)	0.027 (0.69)	20-01-5060-1239 (042)
1.594 (40.49)	2.094 (53.19)	0.405 (10.29)	0.905 (22.99)	0.169 (4.29)	0.027 (0.69)	20-01-5115-1239 (010)
1.750 (44.45)	2.500 (63.50)	0.505 (12.83)	1.130 (28.70)	0.171 (4.34)	0.027 (0.69)	20-01-5120-1239 (016)
1.937 (49.20)	2.687 (68.25)	0.633 (16.08)	1.380 (35.05)	0.206 (5.23)	0.027 (0.69)	20-01-5125-1239 (020)
2.438 (61.93)	3.188 (80.98)	0.805 (20.45)	1.600 (40.64)	0.257 (6.53)	0.027 (0.69)	20-01-5130-1239 (024)
3.500 (88.90)	2.500 (63.50)	1.880 (47.75)	0.880 (22.35)	0.266 (6.76)	0.027 (0.69)	20-01-5135-1239 (027)
2.750 (69.85)	3.875 (98.43)	1.155 (29.34)	2.300 (58.42)	0.270 (6.86)	0.027 (0.69)	20-01-5140-1239 (031)

CHOMERICS TECHNICAL INFORMATION

4.500 (114.30)	3.000 (76.20)	2.850 (72.39)	1.350 (34.29)	0.266 (6.76)	0.027 (0.69)	20-01-5145-1239 (034)
3.750 (95.25)	5.438 (138.13)	1.710 (43.43)	3.410 (86.61)	0.266 (6.76)	0.027 (0.69)	20-01-5150-1239 (039)
6.344 (161.14)	4.188 (106.38)	4.310 (109.47)	2.160 (54.86)	0.266 (6.76)	0.027 (0.69)	20-01-5155-1239 (041)
1.531 (38.89)	2.281 (57.94)	0.632 (16.05)	1.382 (35.10)	0.150 (3.81)	0.027 (0.69)	20-01-5225-1239 (021)
1.750 (44.45)	2.500 (63.50)	0.800 (20.32)	1.600 (40.64)	0.160 (4.06) 0.150 (3.81)	0.027 (0.69)	20-01-5230-1239 (025)
1.784 (45.31)	2.781 (70.64)	0.882 (22.40)	1.882 (47.80)	0.156 (3.96) 0.141 (3.58)	0.027 (0.69)	20-01-5235-1239 (028)
2.000 (50.80)	3.156 (80.16)	1.155 (29.34)	2.300 (58.42)	0.150 (3.81)	0.027 (0.69)	20-01-5240-1239 (032)
3.844 (97.64)	2.344 (59.54)	2.850 (72.39)	1.350 (34.29)	0.172 (4.37) 0.188 (4.78)	0.027 (0.69)	20-01-5245-1239 (035)

* Hole locations conform to holes in standard waveguide flanges identified in preceding 2 pages. Where two hole diameters are given, flange has holes of two different diameters.

** Number in parentheses is MIL-G-83528B dash number, which should be inserted (without parentheses) at end of MIL P/N.

(mm dimensions in parentheses)

Note: Raised portion will be a nominal of 0.187 in. (4.75 mm). Thickness (T₁) is 0.004 in. (0.10 mm) ±0.002 in. (0.05 mm). This raised area applies only to part numbers with a third digit of "1".

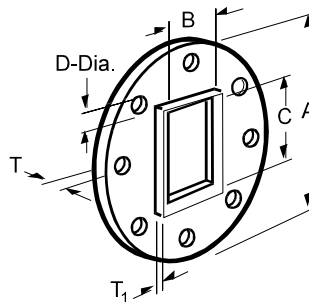


Table 16

2. DIE-CUT CIRCULAR CONFIGURATIONS					
Dimensions					Chomerics P/N** MIL P/N: M83528/013G- () [†]
A	B	C	D*	T	
±0.015 (0.38)	+0.015 (0.38) –0.000		±.010 (0.38)	±.003 (0.08)	
3.125 (79.38)	0.632 (16.05)	1.382 (35.10)	0.234 (5.94)	0.027 (0.69)	20-11-5025-1239 (019)
3.625 (92.08)	0.882 (22.40)	1.882 (47.80)	0.234 (5.94)	0.027 (0.69)	20-11-5035-1239 (026)
5.312 (134.93)	1.350 (34.29)	2.850 (72.39)	0.290 (7.37)	0.027 (0.69)	20-01-5045-1239 (033)

* Hole locations conform to holes in standard waveguide flanges identified in Table 14 pages 57-58.

[†] Number in parentheses is MIL-G-83528B dash number, which should be inserted (without parentheses) at end of MIL P/N.

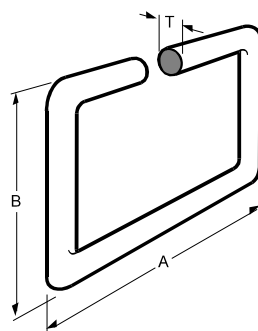


Table 17

3. MOLDED RECTANGULAR WITH "O" CROSS SECTION				
Dimensions				Chomerics P/N MIL P/N: M83528/013K- ()[†]
A	B	T (dia.)	H	
1.368(34.75)	0.868(22.05)	0.103(2.62)	—	20-03-6630-1212 (013)
1.616(41.05)	0.991(25.17)	0.103(2.62)	—	20-03-6635-1212 (018)
1.866(47.40)	1.116(28.35)	0.103(2.62)	—	20-03-6645-1212 (023)
2.449(62.20)	1.449(36.80)	0.139(3.53)	—	20-03-6655-1212 (030)
3.451(87.66)	1.951(49.56)	0.139(3.53)	—	20-03-6665-1212 (037)
2.167(55.04)	1.372(34.85)	0.139(3.53)	—	20-03-L767-1212
2.867(72.82)	1.722(43.74)	0.139(3.53)	—	20-03-L768-1212
4.660(118.36)	2.510(63.75)	0.250(6.35)	0.144(36.58)	20-03-1560-1212*

* Modified "O" Cross Section

[†] Number in parentheses is MIL-G-83528B dash number, which should be inserted (without parentheses) at end of MIL P/N.

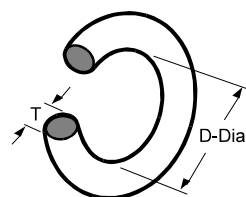


Table 18

4. MOLDED CIRCULAR WITH "O" CROSS SECTION		
Dimensions		Chomerics P/N MIL P/N: M83528/013K- ()[†]
D (I.D.)	T	
2.011 (51.08)	0.123-0.153 (3.12-3.89)	20-02-6545-1212 (022)
2.683 (68.15)	0.115 (2.92)	20-02-6555-1212 (029)

[†] Number in parentheses is MIL-G-83528B dash number, which should be inserted (without parentheses) at end of MIL P/N.

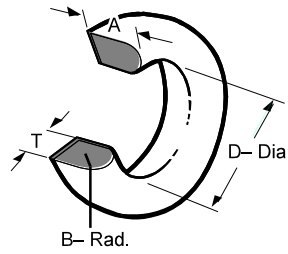


Table 19

5. MOLDED CIRCULAR WITH "D" CROSS SECTION				
Dimensions				Chomerics P/N
A	B	D (I.D.)	T	MIL P/N: M83528/013K- () [†]
0.056 (1.42)	0.041 (1.04)	0.410 (10.41)	0.082 (2.08)	20-02-6510-1212 (002)
0.048 (1.22)	Full Rad.	0.587 (14.91)	0.078 (1.98)	20-02-6515-1212 (004)
0.125 (3.18)	Full Rad.	0.885 (22.48)	0.155 (3.94)	20-02-6520-1212 (006)
0.065 (1.65)	0.49 (1.24)	1.122 (28.50)	0.099 (2.51)	20-02-6525-1212 (008)
0.077 (1.96)	Full Rad.	1.310 (33.27)	0.115 (2.92)	20-02-6530-1212 (012)
0.088 (2.16)	Full Rad.	1.340 (34.04)	0.095 (2.41)	20-02-6531-1212 (011)
0.085 (2.16)	Full Rad.	1.392 (35.36)	0.095 (2.41)	20-02-6535-1212 (014)
0.078 (1.78)	Full Rad.	1.550 (39.37)	0.105 (2.68)	20-02-6540-1212 (017)
0.188 (4.76)	Full Rad.	3.910 (99.31)	0.240 (6.10)	20-02-6565-1212 (036)

[†] Number in parentheses is MIL-G-83528B dash number, which should be inserted (without parentheses) at end of MIL P/N.

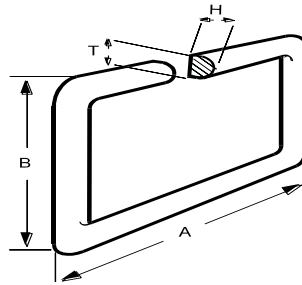


Table 20

6. MOLDED RECTANGULAR WITH "D" CROSS SECTION				
Dimensions				Chomerics P/N
A	B	T (dia.)	H	
1.616 (41.05)	0.991 (25.17)	0.103 (2.62)	0.053 (1.35)	20-03-3686-1212
1.866 (47.40)	1.116 (28.35)	0.103 (2.62)	0.053 (1.35)	20-03-3731-1212
2.167 (55.04)	1.372 (34.85)	0.120 (3.05)	0.060 (1.52)	20-03-3980-1212
4.660 (118.36)	2.510 (63.75)	0.250 (6.35)	0.074 (1.88)	20-03-6685-1212*

* Modified "D" Cross Section

Chomerics, Inc.
77 Dragon Court
Woburn, MA 01888-4014
Tel: 617-935-4850
FAX: 617-933-4318

Parker Hannifin PLC
Chomerics Division
Parkway, Globe Park Estate
Marlow, Bucks., SL7 1YB, England
Tel: (44) 1628 486030 FAX: (44) 1628
890053
France Freephone Tel: (0590) 8170

Germany Freephone Tel: (0130) 818074

1M295SG-
111R
Rev. 2-295

NOTICE: The information contained herein is to the best of our knowledge true and accurate. However, since the varied conditions of potential use are beyond our control, all recommendations or suggestions are presented without guarantee or responsibility on our part and users should make their own tests to determine the suitability of our products in any specific situation. **This product is sold without warranty either expressed or implied, of fitness for a particular purpose or otherwise, except that this product shall be of standard quality, and except to the extent otherwise stated on Chomerics' invoice, quotation, or order acknowledgment.** We disclaim any and all liability incurred in connection with the use of information contained herein, or otherwise. All risks of such are assumed by the user. Furthermore, nothing contained herein

CHOMERICS TECHNICAL INFORMATION

shall construed as a recommendation to use any process or to manufacture or to use any product in conflict with existing or future patents covering any product or material or its use. The items described in this document are hereby offered for sale by Parker Hannifin Corporation, its subsidiaries or its authorized distributors. This offer and its acceptance are governed by the provisions stated on the entitled "Offer of Sale", available from Chomerics on request.